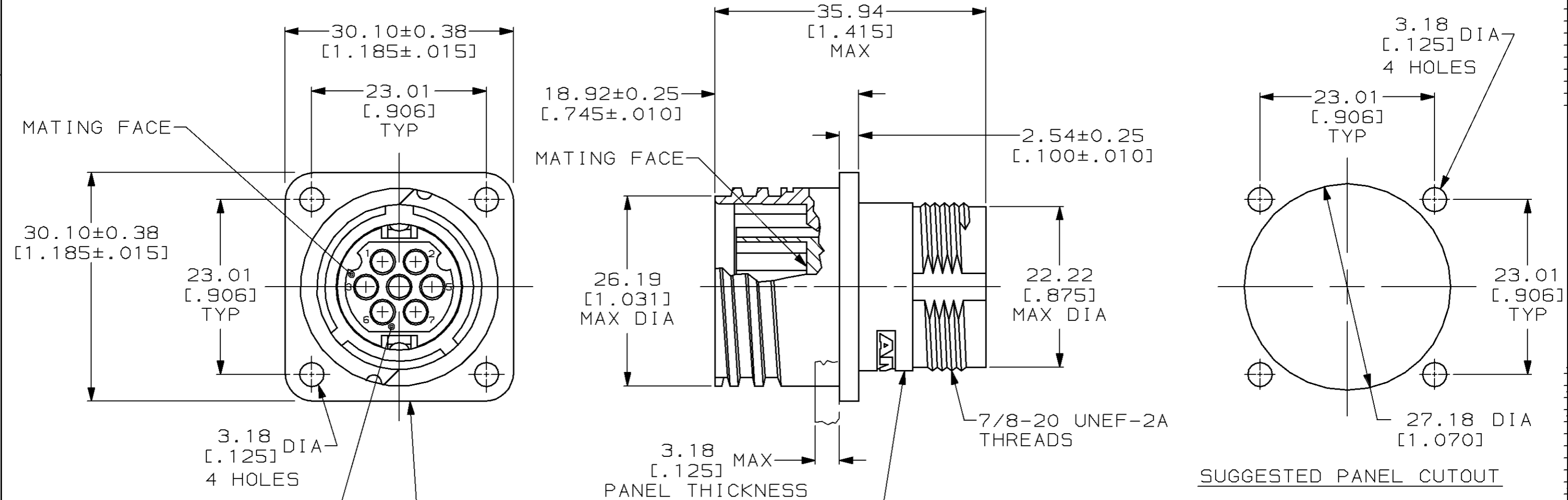


THIS DRAWING IS UNPUBLISHED. RELEASED FOR PUBLICATION, 19
© COPYRIGHT 19 BY AMP INCORPORATED. ALL INTERNATIONAL RIGHTS RESERVED.

MOD	LOC	DIST	P	F	REVISIONS				
					ZONE	LTR	DESCRIPTION	DATE	APPD
4	BD	35				E	REDRAWN W/O CHANGE PER EC 0020-774-94	08/24/94	AF



PIN HOUSING MATERIAL: THERMOPLASTIC COLOR: BLACK

AMP P/N & DATE CODE INK STAMPED ON ANY OF THE FOUR SIDE SURFACES

SHELL, RECEPTACLE MATERIAL: ZINC PER QQ-Z-363 FINISH: NICKEL PER QQ-N-290 OVER COPPER PER MIL-C-14550

- THIS CONNECTOR ACCEPTS SEVEN (7) SIZE 16 MULTIMATE PIN CONTACTS. MAXIMUM WIRE INSULATION DIA = 2.67 [.105].
- THIS CONNECTOR MATES WITH AMP P/N 208714-1.

THIS DRAWING IS A CONTROLLED DOCUMENT FOR AMP INCORPORATED. IT IS SUBJECT TO CHANGE AND THE CONTROLLING ENGINEERING ORGANIZATION SHOULD BE CONTACTED FOR THE LATEST REVISION.

DO NOT SCALE PRINT. UNLESS SPECIFIED DIMENSIONS IN mm [INCHES] TOLERANCES ON: 2 PLC DEC ± 0.13 [.005] 3 PLC DEC ± - ANGLES ± -		DR 08/24/94 K.FOLTZ	AMP AMP Incorporated Harrisburg, PA 17105-3608
MATERIAL SEE CALLOUTS		CHK 08/25/94 R.STONE	
FINISH SEE CALLOUTS		APPD 09/30/94 A.FRANTUM	NAME RECEPTACLE ASSY, SERIES 1, CLASS A, ARRANGEMENT 14-7, STANDARD SEX, CMC
		APPD 09/30/94 A.FRANTUM	SIZE B CAGE CODE 00779 DRAWING NO C-208715
		PRODUCT SPEC -	SCALE 2:1 SHEET 1 OF 1
		APPLICATION SPEC -	
		WEIGHT -	

208715-1
PART NO